

Secant 50

PENDANT



SPECIFICATION SHEET

Secant 50



Model 1671

Type

P Pendant

Size

24	24.8" [631mm]
36	36.3" [921mm]
48	47.7" [1211mm]
60	59.1" [1500mm]
72	70.5" [1790mm]

Custom

Wattage^{1,2}

Direct³

24"

LD 16W (2135lm)
MD 32W (3965lm)

36"

LD 24W (3200lm)
MD 48W (5945lm)

48"

LD 32W (4265lm)
MD 64W (7925lm)

60"

LD 40W (5335lm)
MD 80W (9905lm)

72"

LD 48W (6400lm)
MD 96W (11890lm)

XD - No Direct

Indirect⁴

LI 16W (2135lm)
MI 32W (3965lm)

LI 24W (3200lm)
MI 48W (5945lm)

LI 32W (4265lm)
MI 64W (7925lm)

LI 40W (5335lm)
MI 80W (9905lm)

LI 48W (6400lm)
MI 96W (11890lm)

XI - No Indirect

Color Temp⁵

30	3000
35	3500
40	4000

Voltage

2 220/240 Volt

Driver

RD Remote
ID Integral (in canopy)

Control - RD

S Non-dim
D010 0-10V
DALI DALI
SWD SwitchDIM
X If integral driver is selected

Control - ID (in canopy - if selected)

S Non-dim
D010 0-10V
DALI DALI
X If remote driver is selected

Diffuser Bottom

SW Satin opal acrylic
CB Aluminum - painted to match the fixture

Diffuser Top

SA Satin clear acrylic
CT Aluminum - painted to match the fixture

Finish⁶

19 Painted anodized aluminum - RAL 9006 matte
21 Painted white - RAL 9010 matte
26 Painted black - RAL 9005 matte
22 Painted custom color

Mounting

SCRD Straight cables - remote driver
SCID Straight cables - driver in canopy
CERD Center canopy - remote driver
CEID Center canopy - driver in canopy
PC Straight power cables - remote driver

Circuit

CS Circuit - Single
CD Circuit - Dual

Power Cable⁷

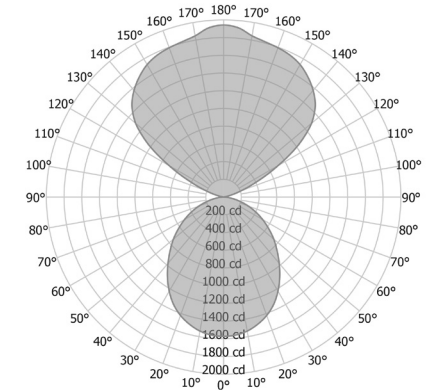
CC Clear insulated cable (standard)
WC White cable
BC Black cable

Notes

- Nominal lumens value specified
- Linear LED board, constant voltage 24 Volt
- For no Direct light specify XD
- For no Indirect light specify XI
- 90+ CRI standard
- Canopy finish matches housing
- 96" standard cable length

Example fixture number:

1671 - P - 24 - LD - LI - 30 - 2 - RD - S - X - SW - SA - 19 - SCRD - CS - CC





Secant 50

PENDANT

What seems like an unfinished shape, Secant 50 is available in pendant and surface versions with modifications including ovals and square shapes.

Uniform light distribution can illuminate any common area.



Size	
24	24.8" [631mm]
36	36.3" [921mm]
48	47.7" [1,211mm]
60	59.1" [1,500mm]
72	70.5" [1,790mm]
Custom	



* 50mm x 50mm fixture body profile
* Straight cables or center canopy mounting options available

Secant 50



PENDANT

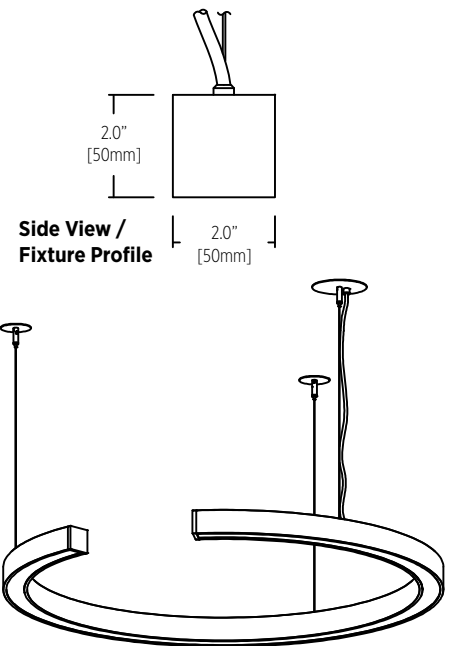
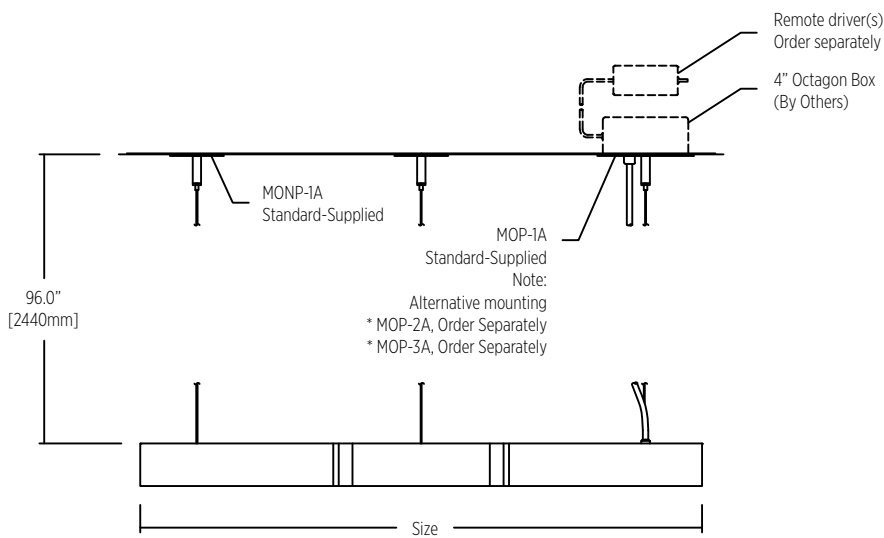
SPECIFICATION SHEET

Secant 50

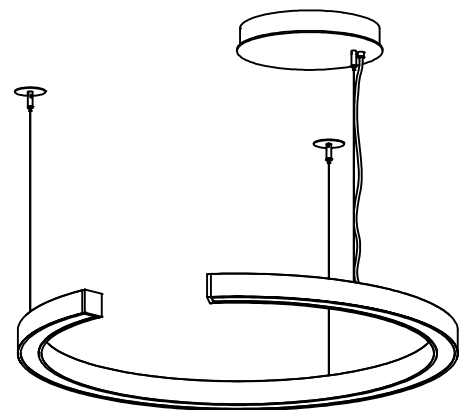
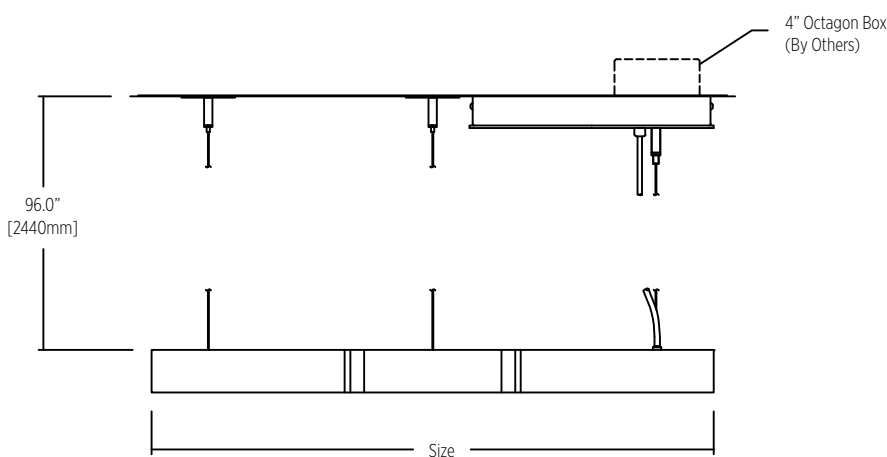


INSTALLATION TYPE

Straight cables with remote driver



Straight cables with surface mounted canopy with integral driver - Order separately



Secant 50

PENDANT

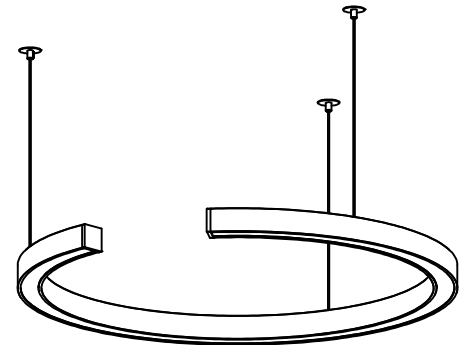
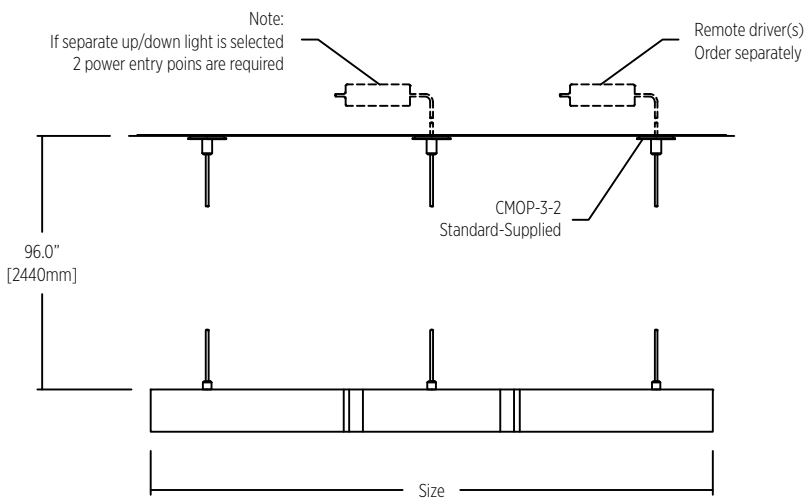


SPECIFICATION SHEET

Secant 50

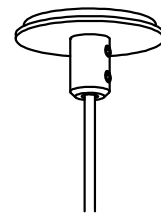
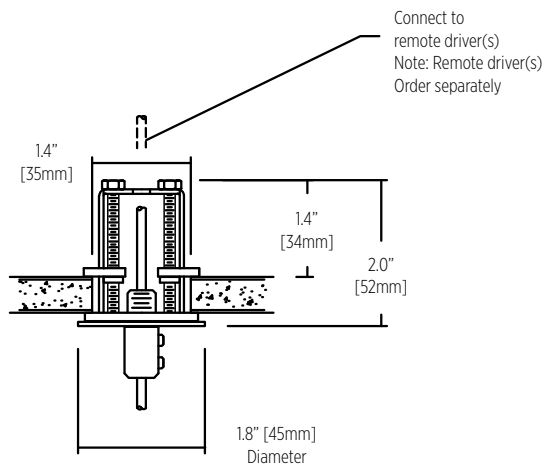


Straight power cables with remote driver



Note:
See below for mounting options

CMOP-3-2 Standard - Supplied



Mounting Option Power 3-2
Suspension Assembly
Installed in drywall or wood ceiling

Secant 50

PENDANT



SPECIFICATION SHEET

Secant 50



Center canopy with remote driver

Remote driver(s)
Order separately

4" Octagon Box
(By Others)

** Provided with 96" [2440mm] suspension and power cords

Size

Center canopy
5.9" [150mm] Dia. x 0.9" [22mm] deep

Fixture mounts directly to 4" octagon box - supplied and installed by others

Center canopy with integral driver

Remote driver(s)
Order separately

** Provided with 96" [2440mm] suspension and power cords

Size

Center canopy with integral driver
12" [305mm] Dia. x 1.9" [49mm] deep

Canopy mounts directly to the ceiling. Mounting hardware provided. Optional mounting holes for 4" octagon box - provided. 4" octagon box - supplied and installed by others.

Minimum mounting height per fixture size for center canopy options:

Fixture Size (Diameter)	Minimum Mounting Height
24" [631mm]	15" [380mm]
36" [921mm]	20" [510mm]
48" [1,211mm]	30" [760mm]
60" [1,500mm]	40" [1,015mm]
72" [1,790mm]	50" [1,270mm]

Secant 50

PENDANT

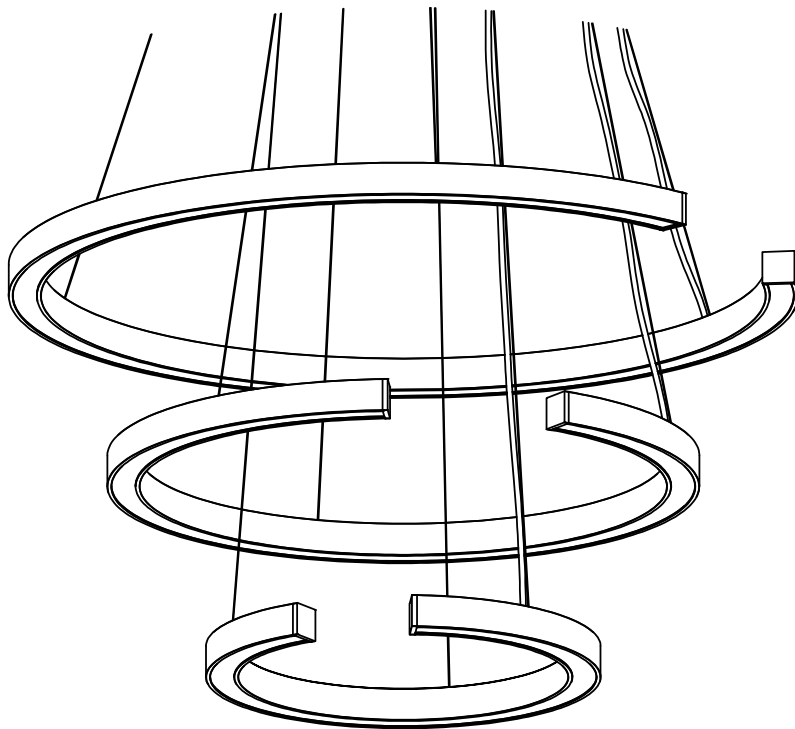


SPECIFICATION SHEET

Secant 50

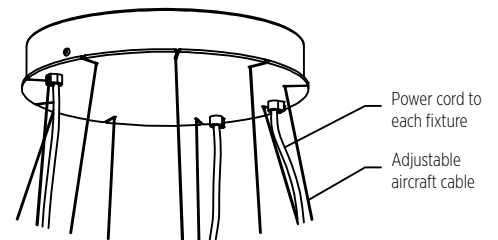


Multiple configuration



Multiple fixture cluster

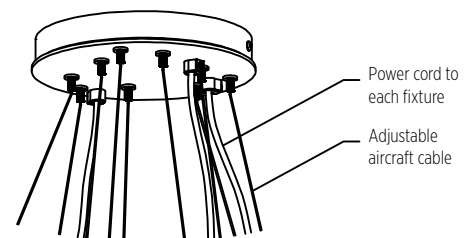
Please advise number of fixtures, size and suspension length for each fixture



Center canopy with integral driver 12" [305mm] Dia. x 1.9" [49mm] deep

Canopy mounts directly to the ceiling.
Mounting hardware provided.

Optional mounting holes for 4" octagon box - provided. 4" octagon box - supplied and installed by others.



Center canopy with remote driver 7.5" [190mm] Dia. x 1.1" [28mm] deep

Canopy mounts directly to the ceiling.
Mounting hardware provided.

Optional mounting holes for 4" octagon box - provided. 4" octagon box - supplied and installed by others.

Secant 50

PENDANT



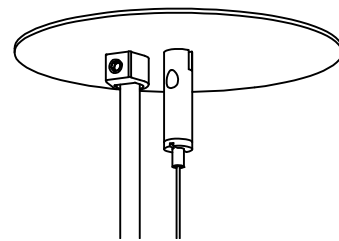
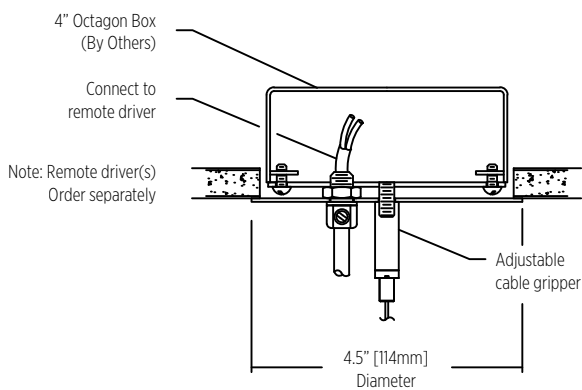
SPECIFICATION SHEET

Secant 50



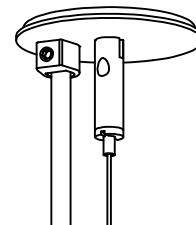
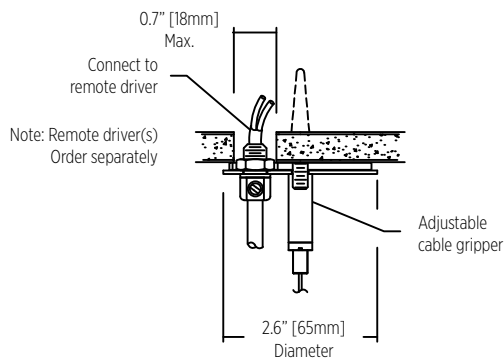
STRAIGHT CABLES MOUNTING OPTION - POWER

MOP-1A Standard - Supplied



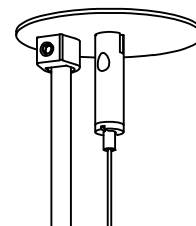
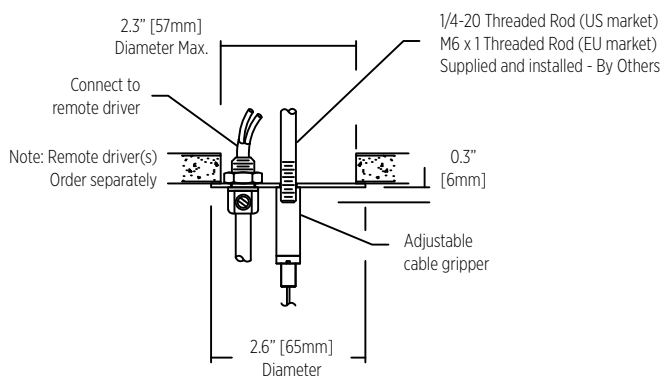
Mounting Option Power 1A
Octagon Box (By Others)
Installed in drywall, wood or concrete ceiling

MOP-2A-1 Order Separately



Mounting Option Power 2A-1
Suspension assembly
Installed in drywall or wood ceiling

MOP-2A-2 Order Separately



Mounting Option Power 2A-2
Suspension assembly
Installed in drywall or wood ceiling

Secant 50



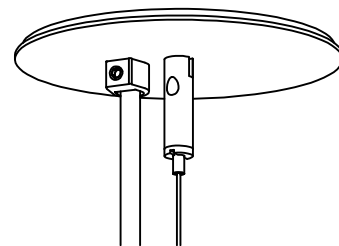
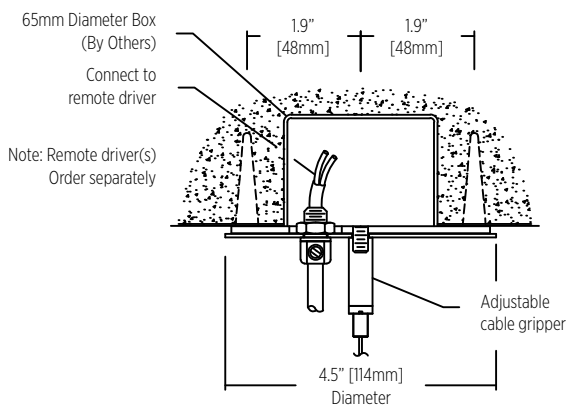
PENDANT

SPECIFICATION SHEET

Secant 50



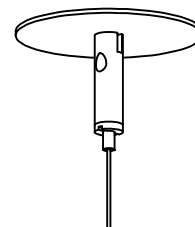
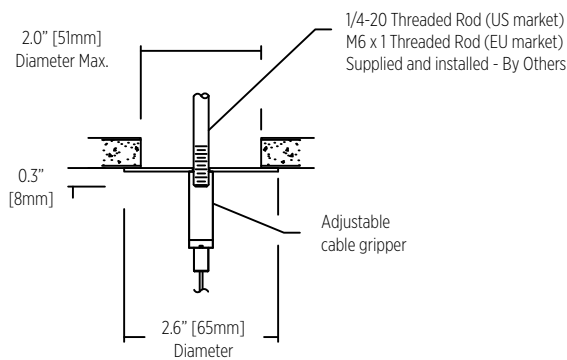
MOP-3A Order Separately



Mounting Option Power 3A
65mm Diameter Box (By Others)
Installed in drywall, wood or concrete ceiling

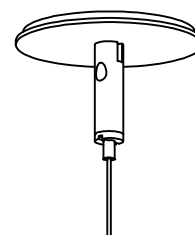
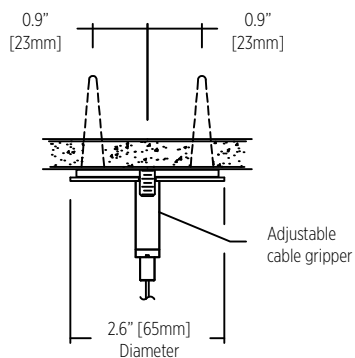
STRAIGHT CABLES MOUNTING OPTION - NON POWER

MONP-1A-1 Standard - Supplied



Mounting Option - Non Power
Threaded Rod installed
to structural ceiling (By Others)

MONP-1A-2 Alternative - Supplied



Mounting Option - Non Power
Suspension Assembly
Installed in drywall, wood or concrete ceiling